

Justice Design Group

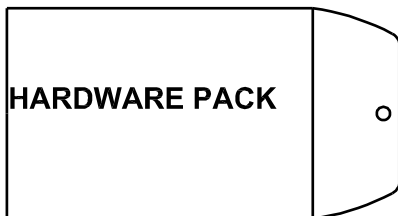
Installation Instructions

Outdoor Wall Sconce

For Model: NSH-7743W, 7745W

IMPORTANT

- Justice Design recommends that a licensed electrician install this lighting fixture
- Installation must comply with all building, safety, and electrical codes and requirements
- Disconnect power to the junction box prior to installation
- Do not reconnect power until this fixture is properly installed
- This fixture is designed to mount to a standard metal 4-0 octagonal junction box



Hardware Pack contains:

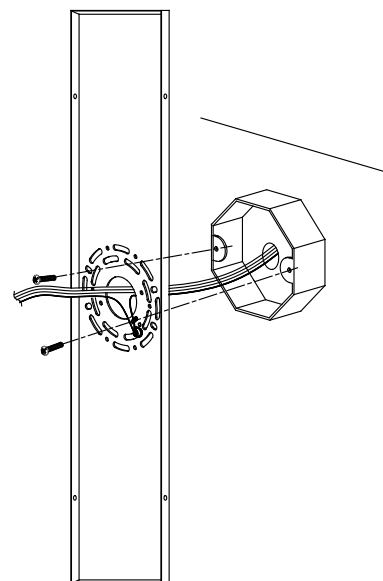
- A. (2) Mounting Screws
- B. (3) Wire Nuts

1

Remove screws with plastic gasket, then remove mounting plate from fixture.

Attach the mounting plate to junction box using mounting screws (A).

Note: The side of the mounting plate marked "GND" must face out. **The junction box is not included.**



405 E Euclid Ave • Compton, CA 90222

Tel: (213) 437-0102 • Fax: (213) 437-0860 • E-mail: sales@JDG.COM Website: www.JDG.com

NSH-7743W, 7745W

©11/28/2025

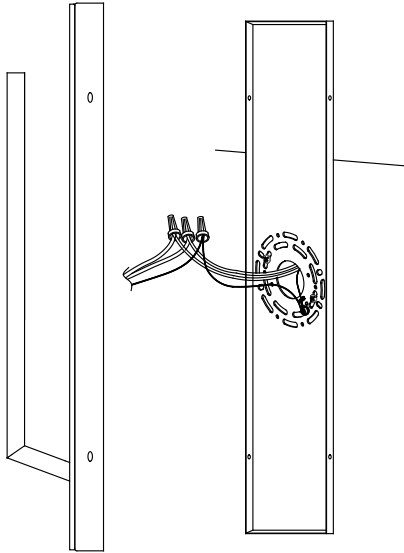
Outdoor Wall Sconce

NSH-7743W, NSH-7745W ©11/28/2025

Justice Design Group page 2

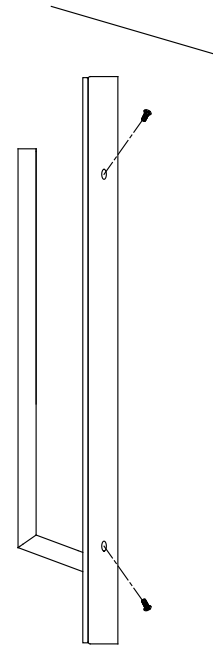
2

Connect fixture wires to driver wires using wire nuts (C).
Observe polarity: black to power, white to neutral, and bare copper to green ground.
Tuck wires and wire nuts into junction box.



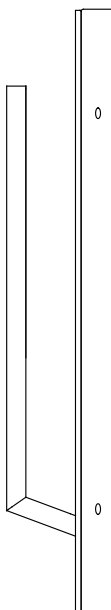
3

Attach fixture to Mounting Plate using screws with plastic gasket.



4

To prevent moisture from entering the outlet box and the fixtures mounting plate causing a short, apply a bead of clear caulk to outline the outside of the fixtures mounting plate where it meets the wall. Leave a small space at the bottom to allow any condensation or moisture to escape.



5

Please see the additional enclosed sheet for care instructions.

**Your installation is now complete.
Return power to the junction box
and test the fixture.**